

0519 SERIES



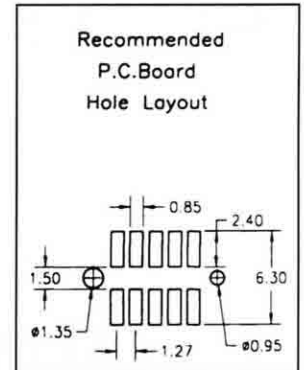
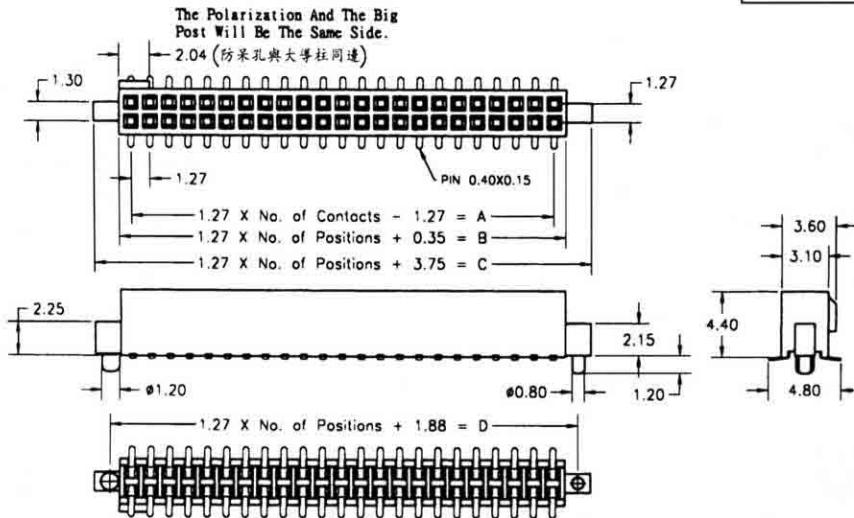
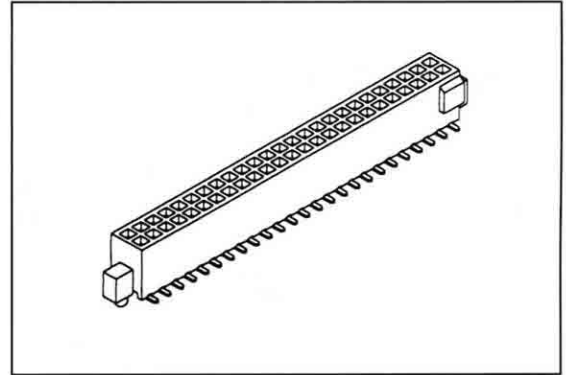
1.27x1.27mm(0.05"x0.05") Female Header, With Polarizing And Local Peg, S.M.T

Specifications

Current Rating: 1Ampere
 Insulation Resistance: 500MΩ Min.
 Dielectric Withstanding: 300V AC
 Contact Resistance: 20mΩ Max.
 Operating Temperature: -40°C to +105°C

Materials

Contact Material: Phosphor Bronze
 Contact Plating: Gold/Tin over Nickel
 Insulator: Glass Filled Polyester (UL 94V-0)



No. of PIN/ROW	Dimension Information			
	A	B	C	D
04	3.81	5.43	8.83	6.96
05	5.08	6.70	10.10	8.23
06	6.35	7.97	11.37	9.50
07	7.62	9.24	12.64	10.77
08	8.89	10.51	13.91	12.04
09	10.16	11.78	15.18	13.31
10	11.43	13.05	16.45	14.58
11	12.70	14.32	17.72	15.85
12	13.97	15.59	18.99	17.12
13	15.24	16.86	20.26	18.39

No. of PIN/ROW	Dimension Information			
	A	B	C	D
14	16.51	18.13	21.53	19.66
15	17.78	19.40	22.80	20.93
16	19.05	20.67	24.07	22.20
17	20.32	21.94	25.34	23.47
18	21.59	23.21	26.61	24.74
19	22.86	24.48	27.88	26.01
20	24.13	25.75	29.15	27.28
21	25.40	27.02	30.42	28.55
22	26.67	28.29	31.69	29.82
23	27.94	29.56	32.96	31.09

No. of PIN/ROW	Dimension Information			
	A	B	C	D
24	29.21	30.83	34.23	32.36
25	30.48	32.10	35.50	33.63
26	31.75	33.37	36.77	34.90
27	33.02	34.64	38.04	36.17
28	34.29	35.91	39.31	37.44
29	35.56	37.18	40.58	38.71
30	36.83	38.45	41.85	39.98

Ordering Information

0519 - X 1 2 - X X 0

1: Tin
 2: Gold
 3: Half Gold

Position